



HONGYAO Lighting

Specification Sheet

- LED WATERPROOF CEILING LIGHT -



Zhejiang Hongyao Lighting Electrical Co., Ltd

No.209 Shennan Rd. Da Yang Jie Dao, Linhai City. Zhejiang China 317000 www.chongyao.com
Trading@chongyao.com Tel: +86 576-85381918 Fax:+86 576-85381913

SPECIFICATIONS
FEATURE

- Body: polycarbonate engineering plastic, not easy to aging discoloration
- Diffusers: High light transmittance polycarbonate, High luminous efficiency, good color
- Featuring tunable White Color Temperature: 3000K, 4000K and 5000K
- IP 65, water tight and dust tight
- The LED fixture is Triac dimming
- WARRANTY--5-year limited warranty

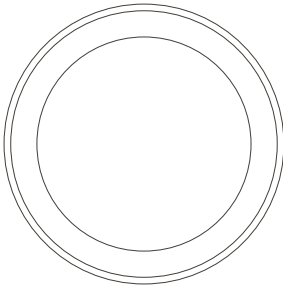

APPLICATION

- drawing room, bedroom, corridor and administration office

Specifications			
Model No.	HY-WPCL8-12W3CCT	HY-WPCL12-18W3CCT	HY-WPCL16-24W3CCT
Power:	12W	18W	24W
Size:	8"	12"	16"
Input Voltage:	120V AC		
Lumens	960LM	1440LM	1920LM
Protection Rating	Ip20 (For Indoor Use Only)		
Beam Angle	120°		
Power Factor	>0.9		
CCT:	3000K/4000K/5000K		
CRI:	>80		
Working Life:	Lumen Maintenance over 70% @ 50,000+ Hours		
Oper. Temperature	-13°F ~+113°F / -25°C ~+45°C		
Certification	ETL		

PRODUCT DIMENSIONS

Front View



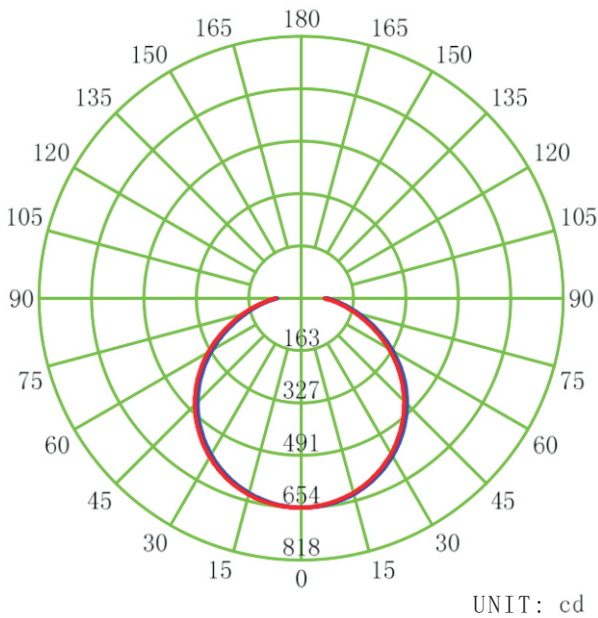
Side View



Model No.	HY-WPCL8-12W-3CCT	HY-WPCL12-18W-3CCT	HY-WPCL16-24W-3CCT
L1	φ200mm/φ7.87"	φ300mm/φ11.81"	φ400mm/φ15.75"
L2	φ51mm/φ2"	φ56mm/φ2.2"	φ56mm/φ2.2"

PHOTOMETRIC REPORT
16" LIGHT

LUMINOUS INTENSITY DISTRIBUTION DIAGRAM



**ORDERING GUIDE**

Package Information			
Model No.	HY -WPCL8-12W3CCT	HY -WPCL12-18W3CCT	HY -WPCL16-24W3CCT
Size	8"	12"	16"
Qty/Pack	12 PCS	12 PCS	6 PCS
Package Size	430X365X225mm	630X395X325mm	425X395X425mm
	16.9"X14.4"X8.9"	24.8"X15.6"X12.8"	16.7"X15.6"X16.7"
Package Weight	kg/ lbs	kg/ lbs	kg/ lbs
Package CBM	0.035314	0.080876	0.071347

ORDERING CODE DEFINITION

Company Code	Product	Size	Watt	CCT
HY	WPCL: LED WATERPROOF CEILING LIGHT	8" 12" 16"	8": 12W 12": 28W 16": 24W	3000K 4000K 5000K CCT Selectable

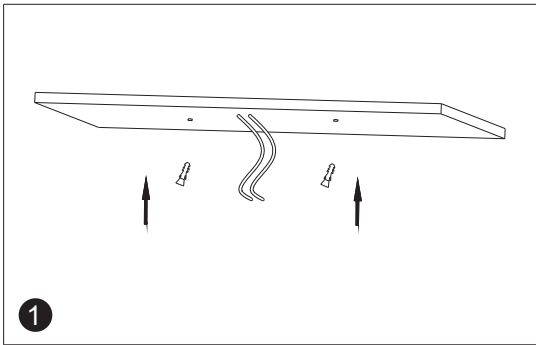
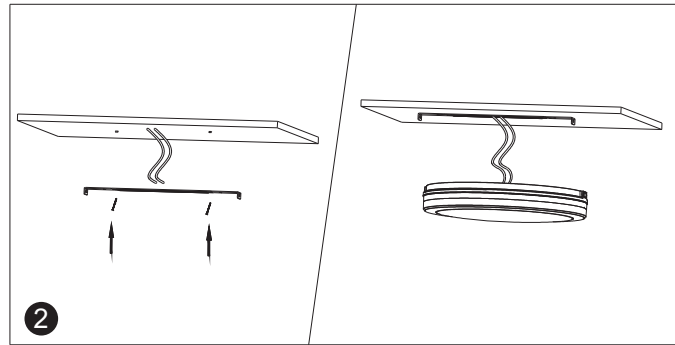
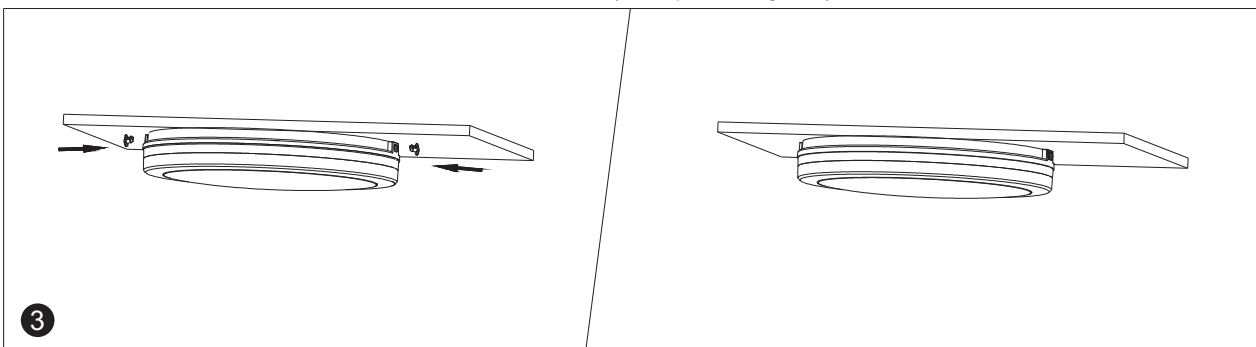
WARNING**CAUTION**

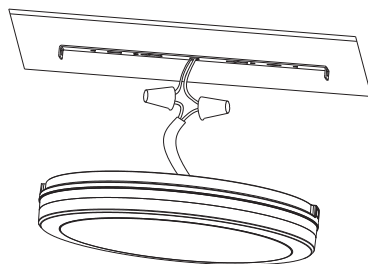
READ THESE IMPORTANT SAFETY INSTRUCTIONS

Please read and understand this entire manual before attempting to assemble operate or install this product

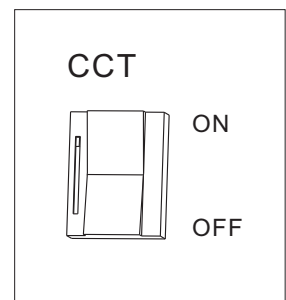
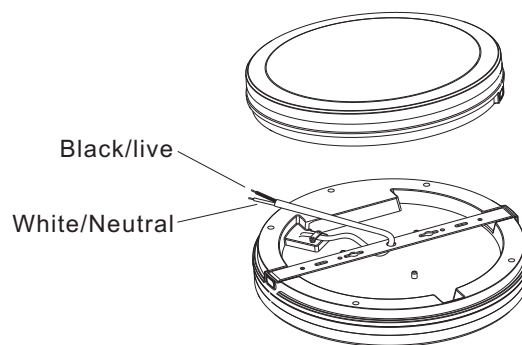
1. RISK OF FIRE OR ELECTRIC SHOCK: The electrical rating of this product is 120VAC.
2. Danger-Risk Of Shock-Disconnect Power Before Installation
3. WARNING-To prevent wiring damage or abrasion, do not expose wiring to edges of sheet metal or other sharp objects,
4. Suitable For Damp Locations
5. This product must be installed in accordance with any applicable installation code(s) by a qualified electrician or person familiar with the construction and operation of the product and the hazards involved.
6. This Device Is Not Intended For Use With Emergency Exits

BE SURE THE POWER IS OFF TO AVOID POSSIBLE ELECTRIC SHOCK BEFORE INSTALLATION

INSTALLATION INSTRUCTION

1. Fixing bracket on terminal box

2. Wiring and color temperature adjustment
(see operation guide)

3. Fixing the lamp body on bracket and fix tightly

OPERATING GUIDE
1 Wiring Guide


1. Open the hardwired box swing cover and remove one of the knock out holes on the side of the electrical box, based on the installation position
2. Feed the wires from the electrical source through the open knock out hole in the electrical box
3. Connect black wire to live wire, white wire to neutral wire, and secure using wire nuts.

2 CCT Adjustable


1. Select the color temperature via the ON/OFF button on the wall.

on → 5000K → off/on → 3000K → off/on → 4000K

2. If there is any color temperature differences between two lights when in the same color temperature, press the ON/OFF button seven times continuously to reset.

Accessories bag includes:

Zhejiang Hongyao Lighting Electrical Co., Ltd

No.209 Shennan Rd. Da Yang Jie Dao, Linhai City. Zhejiang China 317000 www.chongyao.com
 Trading@chongyao.com Tel: +86 576-85381918 Fax: +86 576-85381913